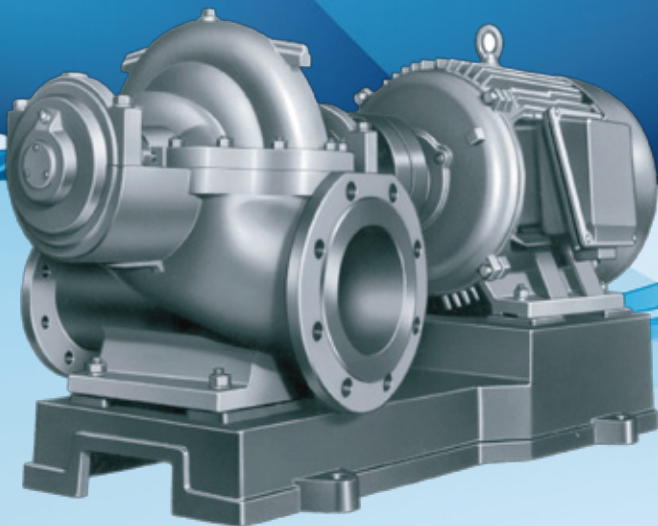




DH

單級雙吸臥式離心泵

SINGLE-STAGE DOUBLE-SUCTION
HORIZONTAL CENTRIFUGAL PUMP



泵浦 曝氣系統 廢水處理機械



綠色 · 安全 · 永續經營

川源股份有限公司
GSD INDUSTRIAL CO., LTD.

品質管理系統ISO 9001
TAF水泵實驗室認證合格廠

簡介與用途 GENERAL DESCRIPTIONS

DH型單級雙吸水平中開臥式離心泵，具有雙向對稱吸入、自行平衡軸向力的特點，結構緊密、性能範圍廣、使用可靠、維修方便。適用於輸、送不含固體顆料及溫度不超過80℃的清水或物理化學性質類似水之液體。主要用途：

1. 工廠、礦山、城市排水
2. 發電廠、水利工程及農田灌溉

Type DH single-stage, double-suction horizontally split centrifugal pump can be used to double-direction symmetry suction and balance axial automatically. This pump features rational design, compact structure, wide range, reliable operation and easy of maintenance. It can be used to deliver clear liquid and should not contain solid grain at temperature below 80℃ or other liquid with their chemical composition & physical characteristics just like water. Main application:

1. Water supply and discharge for factory, mine, and civil.
2. Water supply for power plant, water treatment, and agricultural irrigation.

結構特性 STRUCTURE INSTRUCTIONS

1. 泵體為水平中開式，吸入和吐出口均在泵軸心線下方，拆修時不需拆卸管路及電動機就可檢查轉子部件。
2. 葉輪為單級雙吸式葉輪。
3. 軸封採用機械軸封。
4. 軸承潤滑方式為油脂潤滑。
5. 傳動通過撓性聯軸器由電動機驅動本泵，從傳動方向看水泵為逆時針方向旋轉（亦可按特殊訂貨供應順時針方向旋轉）

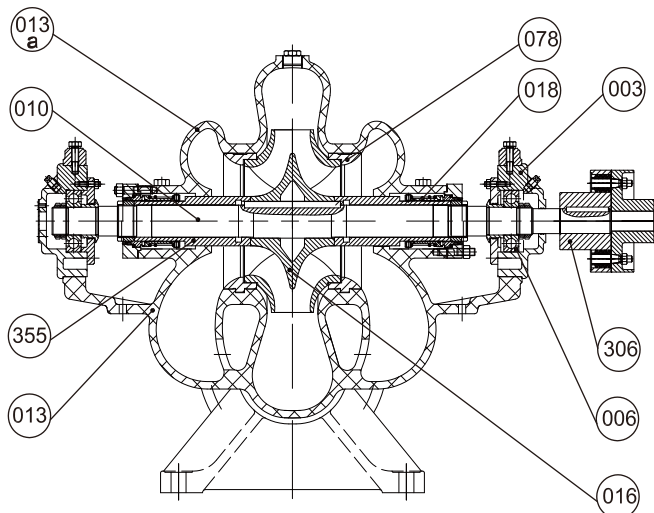
1. The pump body is horizontally split type. The motor and pipelines may not be necessarily striped off for repair work as the inlet and outlet are all positioned below the pump axial. It is easy to check the rotor part of the pump.
2. Impeller type is single-stage, double-suction.
3. Apply Mechanical Seal.
4. The lubrication method of the bearing adopts grease lubrication.
5. A elastic shaft coupling is used to connect the pump and motor to drive. The pump shaft runs counter clockwise from the driven side. (The rotation of pump shaft also can be clockwise according to customer's special requirement.)

型號說明 TYPE DESCRIPTION

DH 250-485-65

額定揚程(m)	Rated Head
額定水量(m ³ /h)	Rated Capacity
入口直徑(mm)	Inlet Diameter
機型:單級雙吸臥式離心泵	Type:Single Stage Double Suction Horizontal Centrifugal Pump

結構簡圖 STRUCTURE DIAGRAM



材質表 (MATERIAL TABLE)				
NO.	名稱	NAME	材質(MATERIAL) ASTM	材質(MATERIAL) JIS
003	軸承座	Bearing housing	ASTM A48	FC200
006	軸承	Bearing	NSK(or SKF)	NSK(or SKF)
010	主軸	Shaft	ASTM A276	SUS420
013	下泵本體	Pump casing	ASTM A48	FC200
013a	上泵本體	Pump casing	ASTM A48	FC200
016	葉輪	Impeller	ASTM A48	FC200
018	機械軸封	Mechanical seal	Tungsten-Carbide	Tungsten-Carbide
078	磨耗環	Wear ring	ASTM B584	BC6
306	連軸器	Coupling	ASTM A48	FC200
355	軸套	Shaft sleeve	ASTM B584	BC6

※其他材質需求，可依客戶指定製作。
Inquiry of specified material is welcome.

60HZ性能表 PERFORMANCE TABLE

型號Model	流量Capacity		揚程Head m	轉速Speed r/min	電機功率Motor KW	效率Eff %	NPSHr m
	m ³ /h	CMM					
DH150-148-24	89	1.5	29	1750	15	76	3.0
	148	2.5	24			81.5	
	178	3.0	23			79	
DH150-174-27	104	1.7	31		18.5	76	6.4
	174	2.9	27			82.5	
	208	3.5	23			81.5	
DH150-169-42	101	1.7	49		30	73	4.0
	169	2.8	42			78	
	203	3.4	39			77.2	
DH150-222-44	133	2.2	51		45	74.2	5.2
	222	3.7	44			80	
	266	4.4	41			79	
DH150-194-74	117	1.9	84	75	64	4.6	
	194	3.2	74		72		
	233	3.9	66		68		
DH150-222-74	133	2.2	87	75	66	4.1	
	222	3.7	74		73		
	266	4.4	64		71		
DH200-285-21	171	2.9	27	1750	22	75	2.3
	285	4.8	21			84.5	
	342	5.7	18			82	
DH200-328-21	197	3.3	26		30	77	2.3
	328	5.5	21			85.5	
	394	6.6	17			82	
DH200-289-36	173	2.9	43		37	76	7.8
	289	4.8	36			83	
	347	5.8	30			80	
DH200-322-38	193	3.2	45		45	75.5	3.4
	322	5.4	38			84	
	387	6.5	33			82	
DH200-332-61	199	3.3	69	90	72.5	3.0	
	332	5.5	61		79		
	398	6.6	55		77.5		
DH200-372-67	223	3.7	74	110	72	3.0	
	372	6.2	67		80		
	446	7.4	61		78		
DH200-351-100	210	3.5	112	150	73	4.3	
	351	5.9	100		79		
	421	7.0	92		77		

型號Model	流量Capacity		揚程Head m	轉速Speed r/min	電機功率Motor KW	效率Eff %	NPSHr m
	m ³ /h	CMM					
DH200-393-109	236	3.9	120	1750	185	74	3.3
	393	6.6	109			80	
	472	7.9	102			78	
DH200-475-29	285	4.8	36		55	76	3.5
	475	7.9	29			86	
	570	9.5	24			83	
DH200-531-30	318	5.3	38		55	78	3.4
	531	8.9	30			87	
	637	10.6	25			84	
DH200-488-50	293	4.9	61		90	76	4.4
	488	8.1	50			84	
	586	9.8	43			81	
DH200-535-54	321	5.4	63	110	76	4.3	
	535	8.9	54		85		
	642	10.7	48		82.5		
DH200-526-86	316	5.3	97	185	74	3.0	
	526	8.8	86		81		
	632	10.5	77		79		
DH200-618-95	370	6.2	106	220	74	4.6	
	618	10.3	95		82		
	741	12.4	84		80		
DH200-643-129	385	6.4	151	335	73	3.8	
	643	10.7	129		79		
	771	12.9	112		75		
DH200-699-151	419	7.0	168	450	72	4.0	
	699	11.7	151		80		
	839	14.0	138		78		
DH250-582-20	432	7.2	23	45	80	3.8	
	582	9.7	20		85.8		
	691	11.5	16		78		
DH250-582-35	432	7.2	39	75	80	3.5	
	582	9.7	35		85.8		
	691	11.5	27		82		
DH250-582-56	432	7.2	61	132	76	3.2	
	582	9.7	56		83.6		
	734	12.2	46		79		
DH250-582-94	432	7.2	102	280	75	3.0	
	582	9.7	94		78.6		
	734	12.2	84		74		

60HZ性能表 PERFORMANCE TABLE

型號Model	流量Capacity		揚程Head m	轉速Speed r/min	電機功率Motor KW	效率Eff %	NPSHr m	
	m³/h	CMM						
DH300-948-17	734	12.2	20	1750	75	80	5.5	
	948	15.8	17			84.8		
	1080	18.0	14			74		
DH300-948-27	734	12.2	32		90	80	5.2	
	948	15.8	27			86.8		
	1122	18.7	23			85		
DH300-948-46	734	12.2	52		1750	160	80	4.6
	948	15.8	46				86.8	
	1080	18.0	40				80	
DH300-948-84	691	11.5	91	315		75	4.4	
	948	15.8	84			84.2		
	1166	19.4	72			80		
DH300-948-130	708	11.8	134	560		74	4.0	
	948	15.8	130			79.6		
	1123	18.7	118			75		
DH350-1512-23	1166	19.4	29	1750	132	83	7.1	
	1512	25.2	23			85.3		
	1728	28.8	19			74		
DH350-1512-37	1166	19.4	43		220	80	6.7	
	1512	25.2	37			87.5		
	1728	28.8	32			82		
DH350-1512-63	1166	19.4	72		355	81	6.3	
	1512	25.2	63			87.5		
	1771	29.5	53			79		
DH350-1512-108	1166	19.4	115	630	78	5.8		
	1512	25.2	108		85.2			
	1728	28.8	94		80			
DH350-1512-180	1020	17.0	202	1200	70	5.4		
	1512	25.2	180		80.5			
	1992	33.2	144		72			
DH500-2424-19	1944	32.4	22	1170	160	79	5.7	
	2424	40.4	19			83		
	2808	46.8	14			80		
DH500-2424-32	1944	32.4	35		280	77	5.2	
	2424	40.4	32			84		
	2808	46.8	27			85		
DH500-2424-50	1944	32.4	58		400	85	4.8	
	2424	40.4	50			88		
	2808	46.8	40			85		
DH500-2424-85	1944	32.4	96	710	79	4.5		
	2424	40.4	85		83			
	2808	46.8	68		80			

型號Model	流量Capacity		揚程Head m	轉速Speed r/min	電機功率Motor KW	效率Eff %	NPSHr m	
	m³/h	CMM						
DH500-2424-141	1944	32.4	164	1170	1200	78	4.0	
	2424	40.4	141			79.5		
	2808	46.8	114			74		
DH600-3804-32	2592	43.2	36	1170	450	82	7.0	
	3804	63.4	32			88		
	4320	72.0	26			82		
DH600-3804-46	2592	43.2	52		560	560	76	7.0
	3804	63.4	46				89	
	4320	72.0	39				85	
DH600-3804-68	2592	43.2	81		800	800	80	6.5
	3804	63.4	68				88.1	
	4320	72.0	58				86	
DH600-3804-108	2592	43.2	121	1600	1600	87	6.0	
	3804	63.4	108			88		
	4320	72.0	96			80		
DH600-3804-144	2592	43.2	158	2000	2000	78	6.0	
	3804	63.4	144			85		
	4320	72.0	132			84		
DH800-6600-32	5184	86.4	36	875	710	82	7.0	
	6600	110.0	32			89		
	7776	129.6	27			86		
DH800-6600-46	5184	86.4	50.4		1250	1250	82	7.0
	6600	110.0	46				89	
	7776	129.6	41.8				87	
DH800-6600-68	4800	80.0	73.4		1600	1600	91	6.5
	6600	110.0	68				90	
	7776	129.6	60.5				88	
DH800-6600-109	4800	80.0	115	2500	2500	79	6.0	
	6600	110.0	109			88		
	7800	130.0	102			87		
DH800-5280-20	3600	60.0	23	700	355	80	5.0	
	5280	88.0	20			88		
	6240	104.0	18			85		
DH800-5280-30	3600	60.0	33.1		560	560	80	4.5
	5280	88.0	30				88	
	6240	104.0	26				85	
DH800-5280-43	3600	60.0	50.4		800	800	80	4.0
	5280	88.0	43				89	
	6240	104.0	37.4				86	
DH800-5280-71	3600	60.0	80	1600	1600	80	4.0	
	5280	88.0	71			87		
	6600	110.0	62			85		

◀ 50HZ性能表 PERFORMANCE TABLE

型號Model	流量Capacity		揚程Head	轉速Speed r/min	電機功率Motor KW	效率Eff %	NPSHr m
	m ³ /h	CMM	m				
	DH250-485-65	360	6.0				
	486	8.1	65.1				
	612	10.2	56.0				
DH250-485-39	360	6.0	42.5	75	75	4.27	
	486	8.1	38.5				
	612	10.2	32.5				
DH250-485-24	360	6.0	27.0	45	80	4.0	
	486	8.1	23.5				
	576	9.6	19.0				
DH250-485-14	360	6.0	17.5	30	80	6.0	
	486	8.1	14.0				
	576	9.6	11.0				
DH300-790-90	590	9.8	98.0	315	74	3.5	
	792	13.2	90.0				
	936	15.6	82.0				
DH300-790-58	576	9.6	65.0	185	80	4.66	
	792	13.2	58.0				
	972	16.2	50.0				
DH300-790-32	612	10.2	36.4	90	80	4.75	
	792	13.2	32.2				
	900	15.0	29.5				
DH300-790-19	612	10.2	23.0	55	82	5.2	
	790	13.2	19.4				
	935	15.6	14.0				
DH300-790-12	612	10.2	14.5	37	80	5.5	
	792	13.2	12.0				
	900	15.0	10.0				
DH350-1260-125	850	14.2	135.0	710	67	5.0	
	1260	21.0	125.0				
	1660	27.7	100.0				
DH350-1260-75	972	16.2	80.0	355	77	5.65	
	1260	21.0	75.0				
	1440	24.0	65.0				
DH350-1260-42	972	16.2	48.5	220	81	6.5	
	1260	21.0	42.0				
	1476	24.6	35.0				
DH350-1260-26	972	16.2	32.0	132	85	5.81	
	1260	21.0	26.0				
	1440	24.0	22.0				
DH350-1260-15	972	16.2	19.3	75	80	6.5	
	1260	21.0	15.1				
	1440	24.0	12.3				
DH500-2020-98	1620	27.0	114.0	800	78	4.0	
	2020	33.7	98.0				
	2340	39.0	79.0				
DH500-2020-59	1620	27.0	68.0	450	79	4.5	
	2020	33.7	59.0				
	2340	39.0	47.0				

型號Model	流量Capacity		揚程Head	轉速Speed r/min	電機功率Motor KW	效率Eff %	NPSHr m
	m ³ /h	CMM	m				
	DH500-2020-35	1620	27.0				
	2020	33.7	35.0				
	2340	39.0	28.0				
DH500-2020-22	1620	27.0	24.5	970	185	5.2	
	2020	33.7	22.0				
	2340	39.0	19.4				
DH500-2020-13	1620	27.0	15.0	90	79	5.7	
	2020	33.7	13.0				
	2340	39.0	10.4				
DH600-3170-100	2160	36.0	110.0	1400	78	6.0	
	3170	52.8	100.0				
	3600	60.0	92.0				
DH600-3170-75	2160	36.0	84.0	900	87	6.0	
	3170	52.8	75.0				
	3600	60.0	67.0				
DH600-3170-47	2160	36.0	56.0	970	560	6.5	
	3170	52.8	47.0				
	3600	60.0	40.0				
DH600-3170-32	2160	36.0	36.0	400	76	7.0	
	3170	52.8	32.0				
	3600	60.0	27.0				
DH600-3170-22	2520	42.0	25.0	250	82	7.0	
	3170	52.8	22.0				
	3600	60.0	18.0				
DH800-5500-76	4000	66.7	80.0	1600	79	6.0	
	5500	91.7	76.0				
	6500	108.3	71.0				
DH800-5500-47	4320	72.0	51.0	1000	91	6.5	
	5500	91.7	47.0				
	6480	108.0	42.0				
DH800-5500-32	4320	72.0	35.0	630	82	7.0	
	5500	91.7	32.0				
	6480	108.0	29.0				
DH800-5500-22	4320	72.0	25.0	450	82	7.0	
	5500	91.7	22.0				
	6480	108.0	19.0				
DH800-4400-49	3000	50.0	54.0	800	80	4.0	
	4400	73.3	49.0				
	5500	91.7	43.0				
DH800-4400-30	3000	50.0	35.0	450	80	4.0	
	4400	73.3	30.0				
	5200	86.7	26.0				
DH800-4400-20	3000	50.0	23.0	585	315	4.5	
	4400	73.3	20.0				
	5200	86.7	18.0				
DH800-4400-14	3000	50.0	16.0	250	80	5.0	
	4400	73.3	14.0				
	5040	84.0	12.5				

綠色 · 安全 · 永續經營

Green Safe Development



綠色 · 安全 · 永續經營

川源股份有限公司
GSD INDUSTRIAL CO., LTD.

22154 新北市汐止區環河街206號
No. 206 Huanhe St., Xizhi Dist.,
New Taipei City 22154 Taiwan R.O.C.
Tel:(02)2694-2732 Fax:(02)2694-2088
<http://www.gsd-pumps.com/>
<http://www.cmsa-pumps.com/>



DH-01-201511

本型錄內容如有變更恕不另行通知 We reserve the right to contents without notice.