

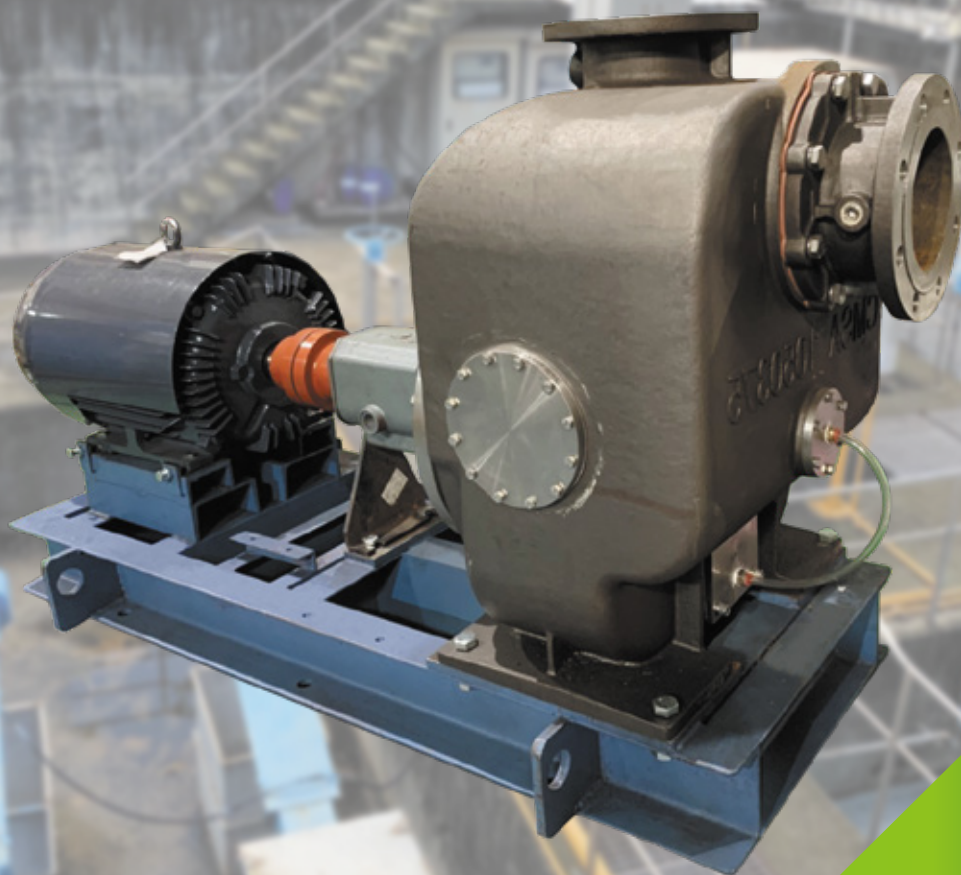
# GMP KMP

## 自吸式泵浦 SELF PRIMING PUMP



泵浦 曝氣系統 廢水處理機械

TAF水泵實驗室認證合格廠  
品質管理系統ISO 9001



綠色 · 安全 · 永續經營



### 川源股份有限公司

GSD INDUSTRIAL CO., LTD.

## 特點 FEATURES

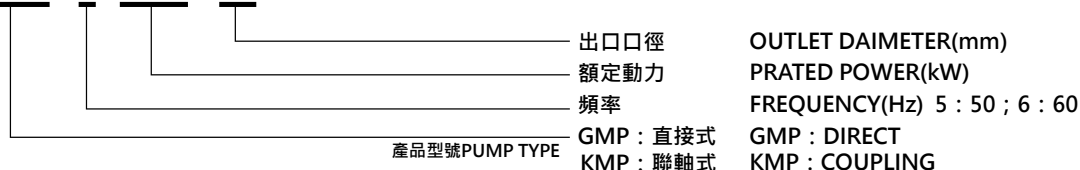
- ▶ GMP採同軸直接式構造，效能高、體型小、重量輕、佔用空間小且安裝方便。
- ▶ 採用機械軸封，不易漏水、不損軸心，免入棉紗之麻煩，延長泵浦壽命。
- ▶ 本體特殊構造自吸能力高。
- ▶ 葉輪採半開放式，汙水雜物的輸送能力強。特殊副葉片設計，可消除軸向推力，動力損失比採平衡孔之方式為低。
- ▶ 只要最初一次加水運轉，即可免除往後灌水的麻煩
- ▶ GMP adopts coaxial direct structure, high efficiency, small size, light weight, small space occupation and easy installation.
- ▶ The mechanical seal is adopted, which is not easy to leak water, does not damage the shaft, avoids the trouble of cotton yarn, and extends the pump life.
- ▶ The body has a special structure with high self-priming ability.
- ▶ The impeller adopts a semi-open type, and the conveying capacity of sewage and debris is strong.
- ▶ The special auxiliary blade design can eliminate the axial thrust, and the power loss is lower than that of the balance hole.
- ▶ As long as the water is added for the first time, the trouble of watering later can be avoided.

## 用途 APPLICATIONS

- ▶ 產業工業給水、排水用
- ▶ 建築工事給水、排水用
- ▶ 農耕栽培灌溉、排水用
- ▶ 下水道及淨化槽汙水輸送
- ▶ 汙水處理廠汙水輸送
- ▶ Industrial water supply and drainage
- ▶ Water supply and drainage for construction.
- ▶ Farming, irrigation and drainage
- ▶ Sewer and pure tank transportation
- ▶ Sewage transportation in wastewater treatment plant

## 型號說明 PRODUCT NUMBER DESCRIPTION

### GMP - 6 - 0.75 - 40



## 標準規格表 MATERIAL

4P

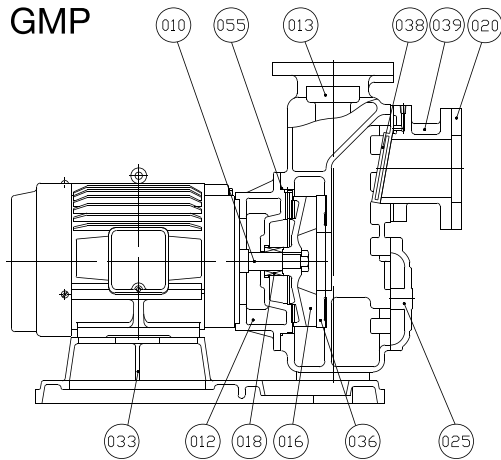
型式 TYPE	馬達 MOTOR					泵浦 PUMP				
	出力		相數 Phase	極數 Pole	頻率 Hz	口徑 DISCH.DIA		揚程 HEAD m	水量 CAP. ℓ/min	略重 kgs
	kw	HP				mm	in			
GMP KMP -60.75-40	0.75	1	3	4	60	40	1.5"	9	150	50
GMP KMP -61.5-50	1.5	2	3	4	60	50	2"	11.5	250	65
GMP KMP -62.2-65	2.2	3	3	4	60	65	2.5"	12	450	90
GMP KMP -63.7-80	3.7	5	3	4	60	80	3"	14	700	120
GMP KMP -65.5-100	5.5	7.5	3	4	60	100	4"	15	1150	160
GMP KMP -67.5-100	7.5	10	3	4	60	100	4"	18	1200	170
GMP KMP -611-150	11	15	3	4	60	150	6"	16	2400	305
GMP KMP -615-150	15	20	3	4	60	150	6"	17	3000	320
GMP KMP -619-150	18.5	25	3	4	60	150	6"	20	3000	375
GMP KMP -622-150	22	30	3	4	60	150	6"	26	3000	380

2P

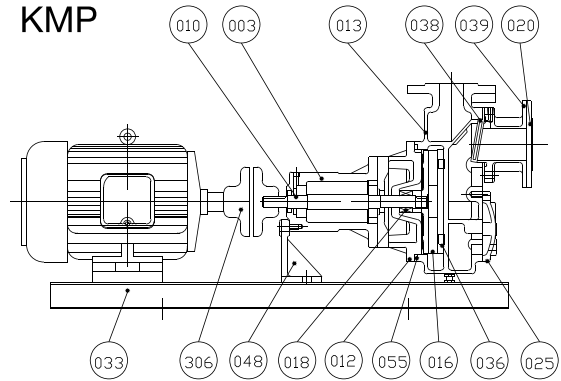
型式 TYPE	馬達 MOTOR					泵浦 PUMP				
	出力		相數 Phase	極數 Pole	頻率 Hz	口徑 DISCH.DIA		揚程 HEAD m	水量 CAP. ℓ/min	略重 kgs
	kw	HP				mm	in			
GMP KMP -62.2-40	2.2	3	3	2	60	40	1.5"	25	140	68
GMP KMP -63.7-50	3.7	5	3	2	60	50	2"	33	210	80
GMP KMP -65.5-65	5.5	7.5	3	2	60	65	2.5"	35	340	105
GMP KMP -67.5-65	7.5	10	3	2	60	65	2.5"	40	490	120
GMP KMP -611-65	11	15	3	2	60	65	2.5"	45	560	225
GMP KMP -615-65	15	20	3	2	60	65	2.5"	45	750	240
GMP KMP -619-80	18.5	25	3	2	60	80	3"	45	900	305
GMP KMP -622-80	22	30	3	2	60	80	3"	48	1050	310

# 標準材質圖 MATERIALS

GMP



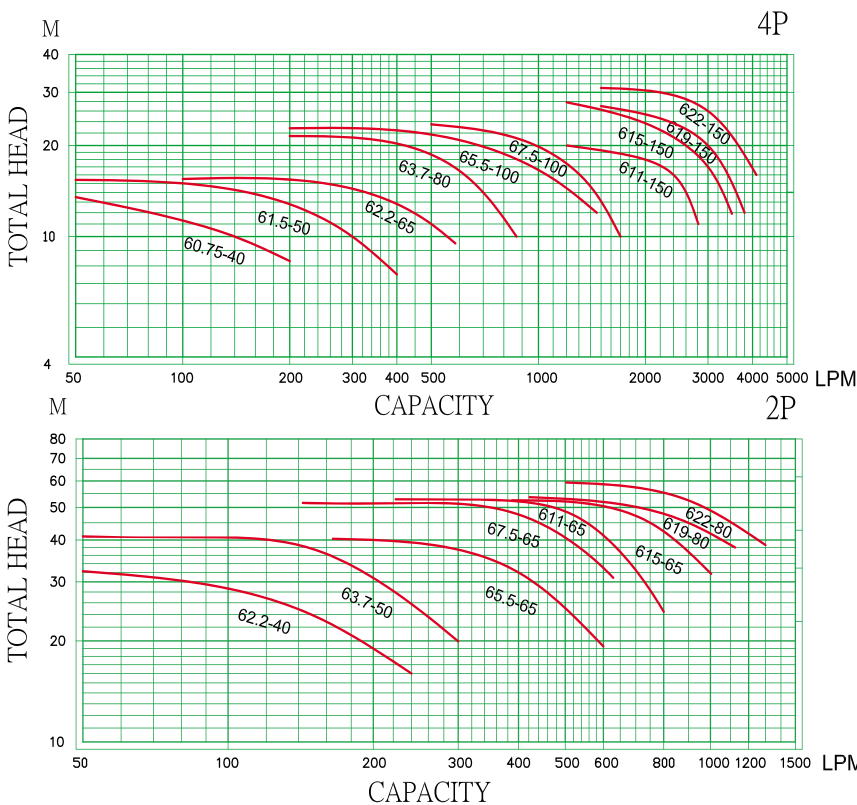
KMP



NO.	名稱Name	材質Material		
		A	B	C
010	主軸Shaft	SUS410	SUS316	SUS316
012	中承座Bracket	FC200	SCS13	SCS14
013	泵浦本體Pump casting	FC200	SCS13	SCS14
016	葉輪Impeller	FC200	SCS13	SCS14
018	機械軸封 Mechanical seal	Silicon-NBR		Silicon-Viton
020	凸緣Flange	FC200	SCS13	SCS14
025	除汙蓋 Waste-remove cover	FC200	SCS13	SCS14
033	機座Baseplate	FC200/SS400		
036	隔離板Isolation board	FC200	SCS13	SCS14
038	閥舌valve clack	NBR		Viton
039	閥座valve seat	FC200	SCS13	SCS14
055	O型環O-ring	NBR		Viton

NO.	名稱Name	材質Material		
		A	B	C
003	軸承座Bearing	FC200		
010	主軸Shaft	SUS410	SUS316	SUS316
012	中承座Bracket	FC200	SCS13	SCS14
013	泵浦本體Pump casting	FC200	SCS13	SCS14
016	葉輪Impeller	FC200	SCS13	SCS14
018	機械軸封 Mechanical seal	Silicon-NBR		Silicon-Viton
020	凸緣Flange	FC200	SCS13	SCS14
025	除汙蓋 Waste-remove cover	FC200	SCS13	SCS14
033	機座Baseplate	FC200/SS400		
036	隔離板Isolation board	FC200	SCS13	SCS14
038	閥舌valve clack	NBR		Viton
039	閥座valve seat	FC200	SCS13	SCS14
048	軸承支架Hold bar	FC200/SS400		
055	O型環O-ring	NBR		Viton
306	聯軸器Coupling	FC200		

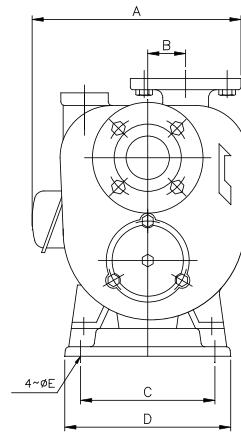
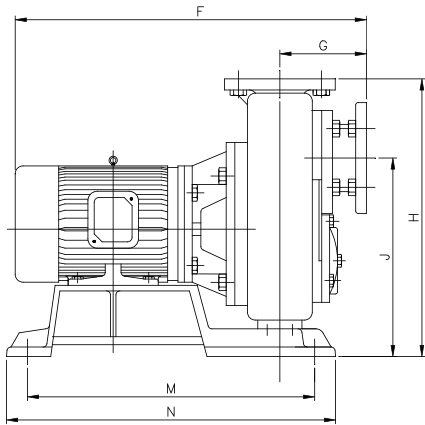
# 標準曲線圖 PERFORMANCE CURVE



詳細資料請參考單張曲線  
Detail information, please refer to the specific performance curve sheet

# 外型尺寸 DIMENSIONS

## GMP



### ▶GMP 2P

單位Units : mm

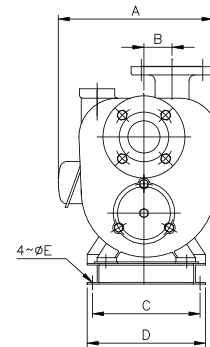
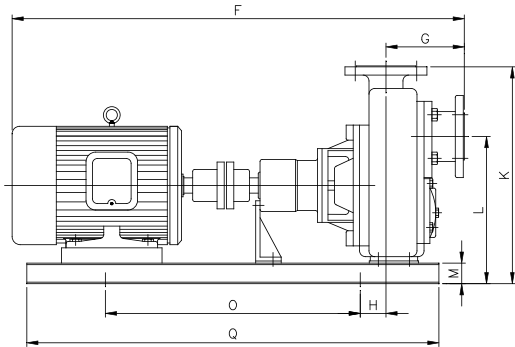
TYPE	HP	A	B	C	D	E	F	G	H	J	M	N
GMP-62.2-40	3	282	40	170	210	16	514.0	135	370	270	440	480
GMP-63.7-50	5	302	48	260	300	16	609.5	153.5	374	266	520	600
GMP-65.5-65	7.5	382	60	310	350	19	665	173	487	359	350	650
GMP-67.5-65	10	382	60	310	350	19	665	173	487	359	350	650
GMP-611-65	15	400.5	60	400	466	21	788	173	455	329	490	686
GMP-615-65	20	445	60	400	466	21	818	173	470	347	490	730
GMP-619-80	25	472	60	252	318	21	947	180	530	372	590	786
GMP-622-80	30	472	60	252	318	21	985	180	530	372	590	786

### ▶GMP 4P

單位Units : mm

TYPE	HP	A	B	C	D	E	F	G	H	J	M	N
GMP-60.75-40	1	262	40	170	210	16	482	135	360	260	440	480
GMP-61.5-50	2	290	48	170	210	16	555	155	360	285	440	480
GMP-62.2-65	3	338	60	260	300	16	594	172.5	440	312	520	560
GMP-63.7-80	5	354	60	260	300	16	640	179.5	498	337	520	560
GMP-65.5-100	7.5	390	40	377	442	19	737	205	592	408	426	603
GMP-67.5-100	10	390	40	377	442	19	775	205	592	408	426	603
GMP-611-150	15	542	120	400	466	21	938	267	765	521	490	686
GMP-615-150	20	542	120	400	466	21	982	267	765	521	490	686
GMP-619-150	25	587	120	450	500	22	1043	267	805	561	500	900
GMP-622-150	30	587	120	450	500	22	1043	267	805	561	500	900

## KMP



### ▶KMP 2P

單位Units : mm

TYPE	HP	A	B	C	D	E	F	G	K	L	M	O	Q
KMP-62.2-40	3	274	40	160	200	20	864	135	406	306	75	450	750
KMP-63.7-50	5	302	48	200	250	22	962	156	510	400	100	400	800
KMP-65.5-65	7.5	381	60	230	280	22	1103	173	519	396	100	550	1050
KMP-67.5-65	10	381	60	230	280	22	1104	173	519	396	100	550	1050
KMP-611-65	15	433	60	260	320	22	1256	173	552	429	125	700	1200
KMP-615-65	20	433	60	260	320	22	1256	173	552	429	125	700	1200
KMP-619-80	25	440	60	290	350	22	1329	180	603	445	125	900	1400
KMP-622-80	30	505	60	290	350	22	1359	180	623	465	125	900	1400

### ▶KMP 4P

單位Units : mm

TYPE	HP	A	B	C	D	E	F	G	K	L	M	O	Q
KMP-60.75-40	1	248	40	210	250	16	711	135	406	306	75	450	650
KMP-61.5-50	2	280.5	48	210	250	20	883	154	500	395	75	500	800
KMP-62.2-65	3	315.5	60	240	280	20	938	170	527	399	75	550	850
KMP-63.7-80	5	336	60	200	250	22	989	179	579	416	100	550	850
KMP-65.5-100	7.5	378	40	340	380	20	1173	200	667	492	75	700	1000
KMP-67.5-100	10	422	40	300	350	22	1216	205	661	477	100	650	1050
KMP-611-150	15	535	120	400	450	22	1415	267	835	601	100	800	1200
KMP-615-150	20	535	120	400	450	22	1459	267	835	601	100	800	1200
KMP-619-150	25	622	120	390	450	22	1487	267	877	635	125	800	1200
KMP-622-150	30	622	120	390	450	22	1487	267	877	635	125	800	1200



綠色 · 安全 · 永續經營

川源股份有限公司  
GSD INDUSTRIAL CO., LTD.



Changeable Market 以卓越的行動力  
should be satisfied with  
Superior Action  
滿足市場快速變化

GMP/KMP-202105

Contact CMSA, scan now!



本型錄內容如有變更恕不另行通知 We reserve the right to contents without notice.